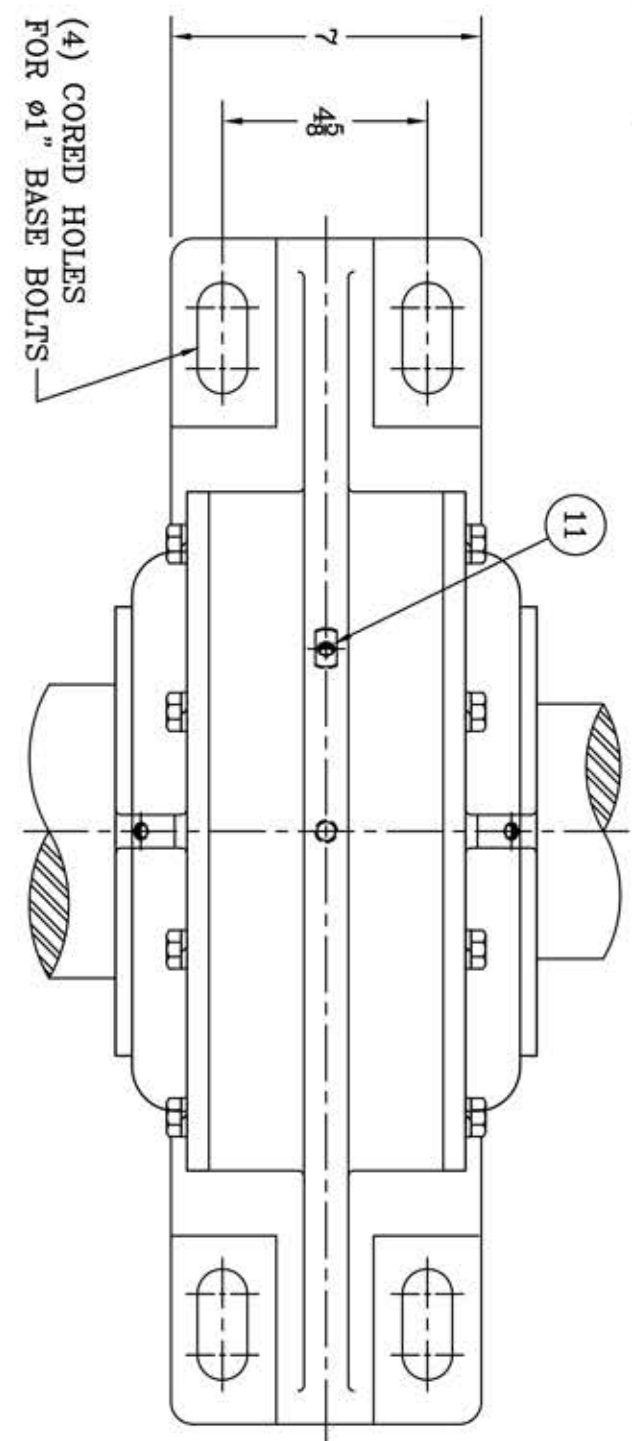
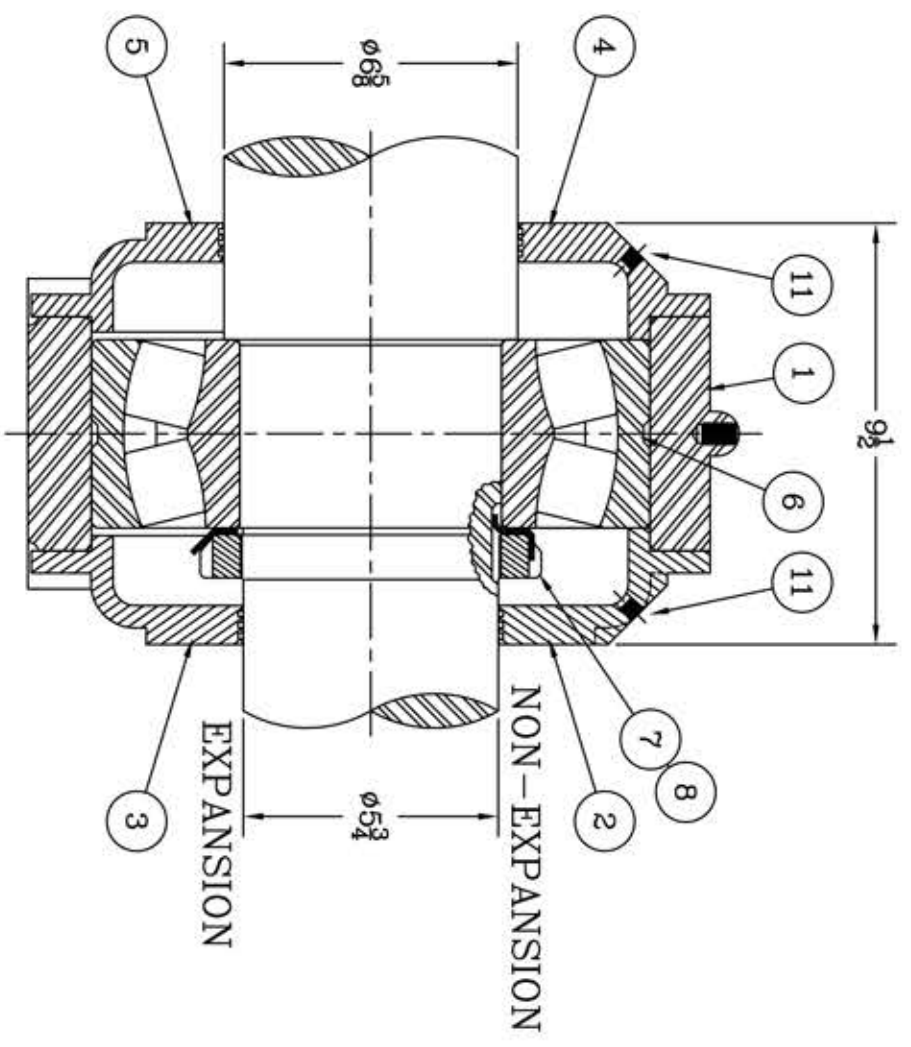
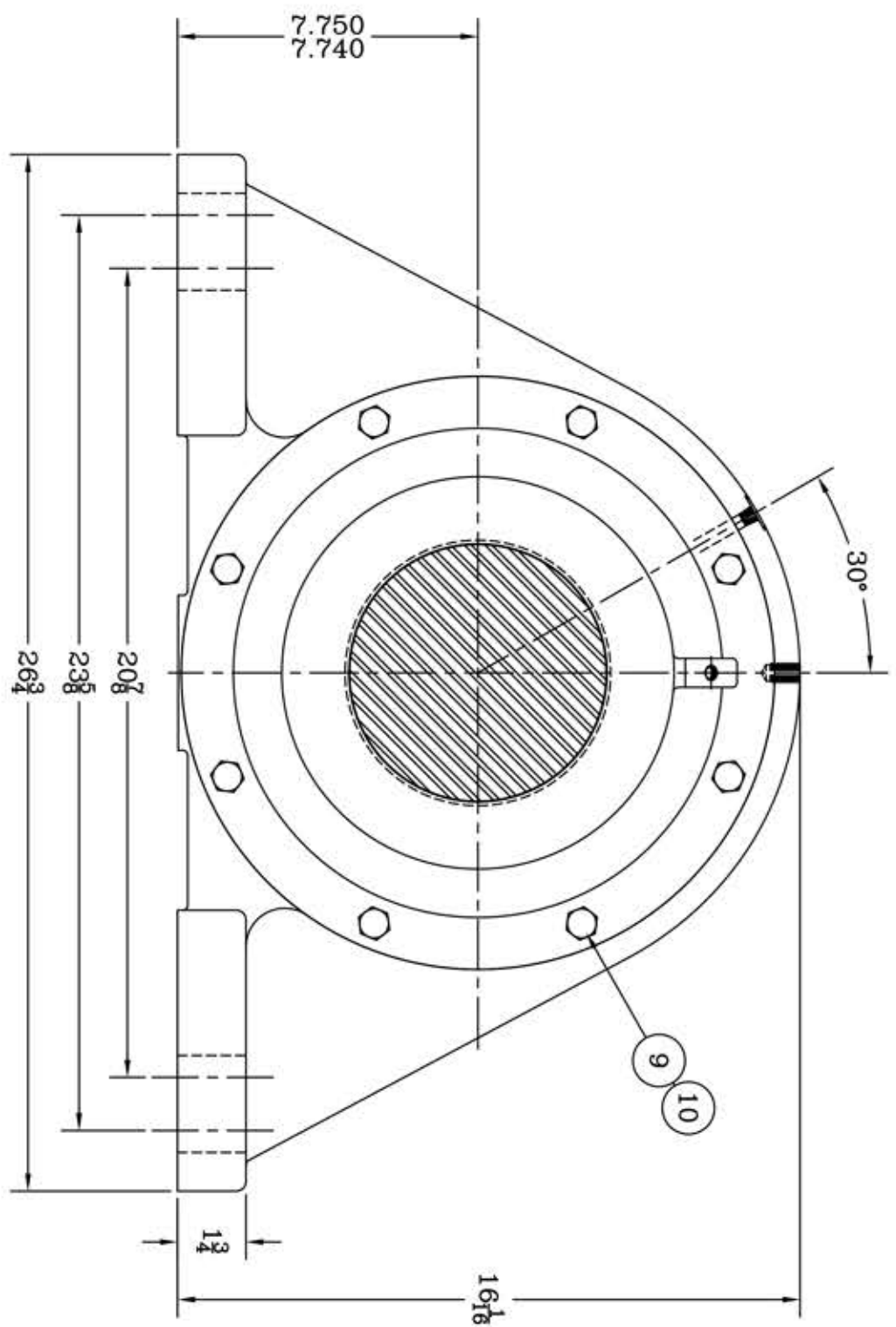


This drawing is the sole property of Miether Bearing Products and contains confidential and proprietary information. It is being provided to you for your use and may not be disclosed to any third party or used for any other purpose without Miether's prior written consent. The [materials] must be returned to the Company upon its demand. Your acceptance of these materials constitutes your acceptance of the foregoing terms.

C-14708



ITEM	DESCRIPTION	DETAIL	REQUIRED
			N EXP. EXP.
1	HOUSING M3007	C-03007	1 1
2	ENDCAP F3500 NEL	C-22886	1 0
3	ENDCAP F3501 EL	C-22886	0 1
4	ENDCAP F3502 NEL	C-22890	1 0
5	ENDCAP F3503 EL	C-22890	0 1
6	SPHERICAL ROLLER BEARING	22330/W-33	1 1
7	LOCKNUT AN-30	B-10419	1 1
8	LOCKWASHER W-30	00249	1 1
9	CAP BOLT HEX. HEAD	½-13 NC x 1½ LONG	16 16
10	LOCKWASHER	½ SPLIT MED.	16 16
11	PIPE PLUG	½- NPT	3 3



REDRAWN ON
COMPUTER
RWB per KAB
10-3-03

REVISIONS

SYMBOL	DESCRIPTION
✓	16
✓	32
✓	63
✓	125
✓	250
✓	500
✓	1000

TOLERANCE: UNLESS OTHERWISE SPECIFIED

FRACTIONS	DECIMALS	CASTING	ANGLES	WELD
± 1/32"	± .005"	± 1/16"	± 0° 30'	± 1/16"

A.I.S.I. STANDARD FINISHES

AN ALCO INDUSTRIES COMPANY
BEARING PRODUCTS
ODESSA, TX. USA

MMW 22330 06-10 x 05-12
ASSEMBLY DRAWING

SCALE 1 = 3
DRAWN CJ
DATE 12/3/71
CHK:

ASSEMBLY NO.
DRAWING NO.
C-14708